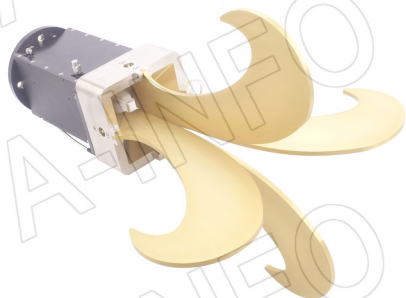


For reference only. See data sheet for the detailed specifications.

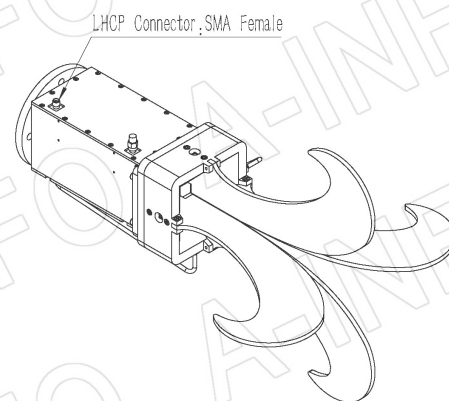
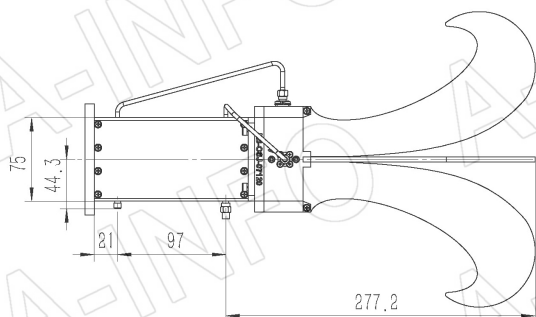
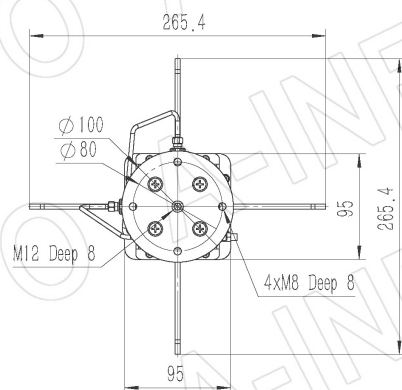
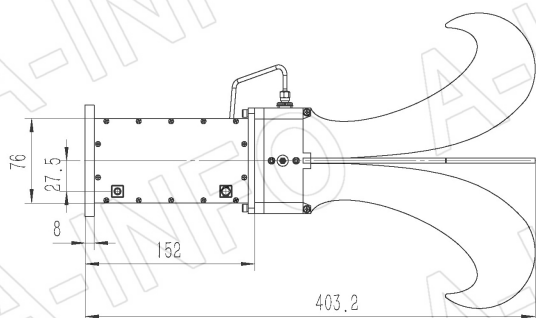
Technical Specification



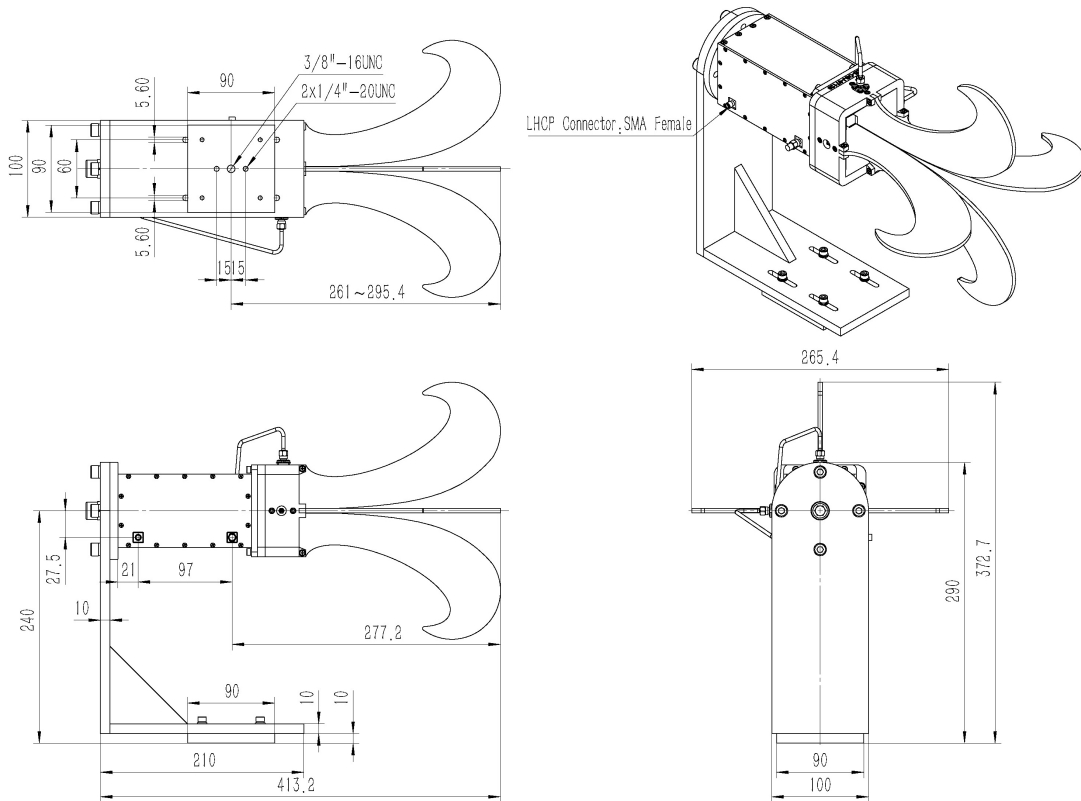
Frequency Range(GHz)	0.7 – 12.0	
Gain(dBic)	10 Typ.	
Polarization	LHCP	
Axial Ratio(dB)	1.5 Typ.	
	3.5 Max.	
3dB Beamwidth(deg)	E Plane:	92 - 25
	H Plane:	167 - 24
VSWR	1.50:1 Max.	
Connector	SMA-Female	
Power Handling(W CW)	20 Max.	
Material	Al	
Finish	Chemical Conversion Coating and Nickel Plated, Anodizing	
Size(mm)	265.4 x 265.4 x 403.2	
Net Weight(Kg)	2.46 Around	

Outline Drawing (Size: mm)

SMA-Female Output (P/N: LB-OSJ-07120-P01)

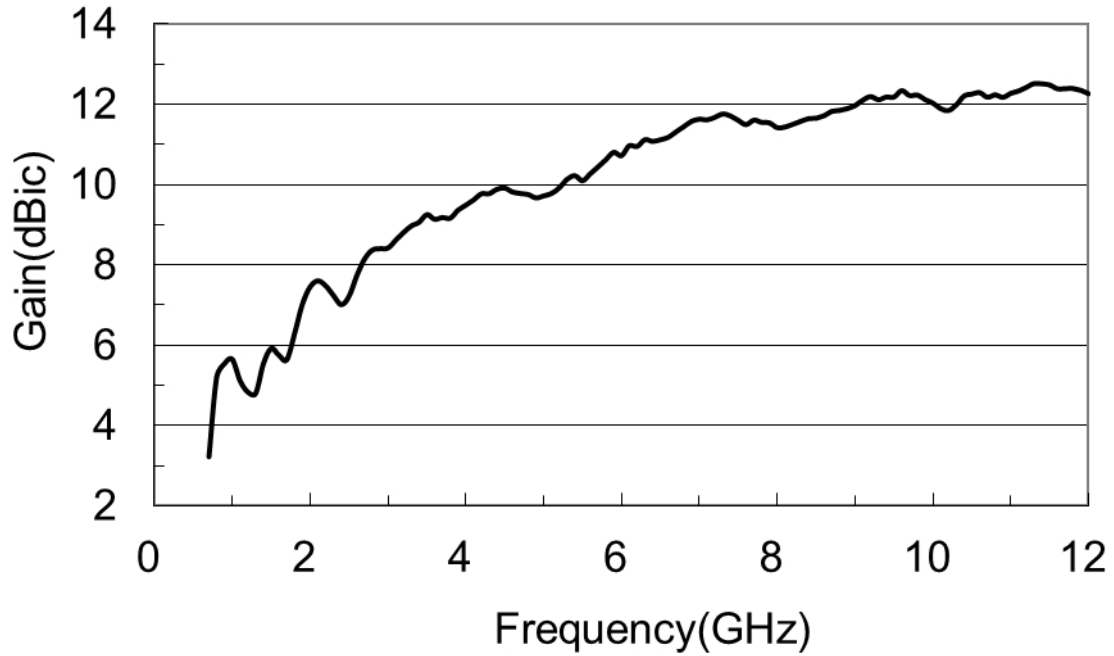


SMA-Female Output with L Type Mounting Bracket (Option, P/N: LB-660-L)

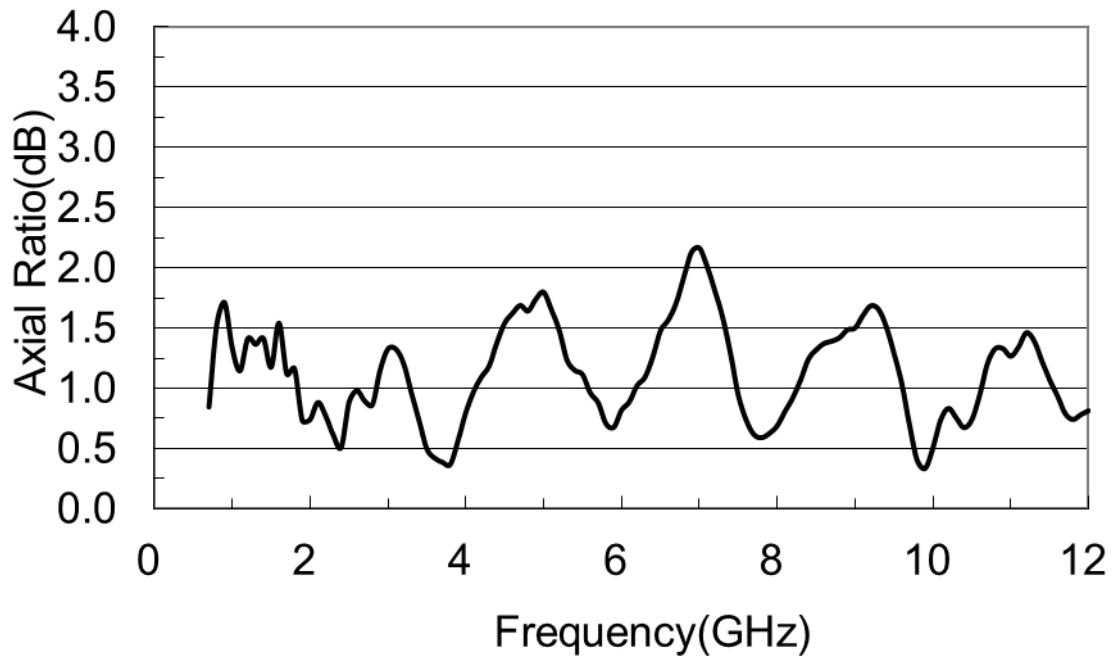


Test Results

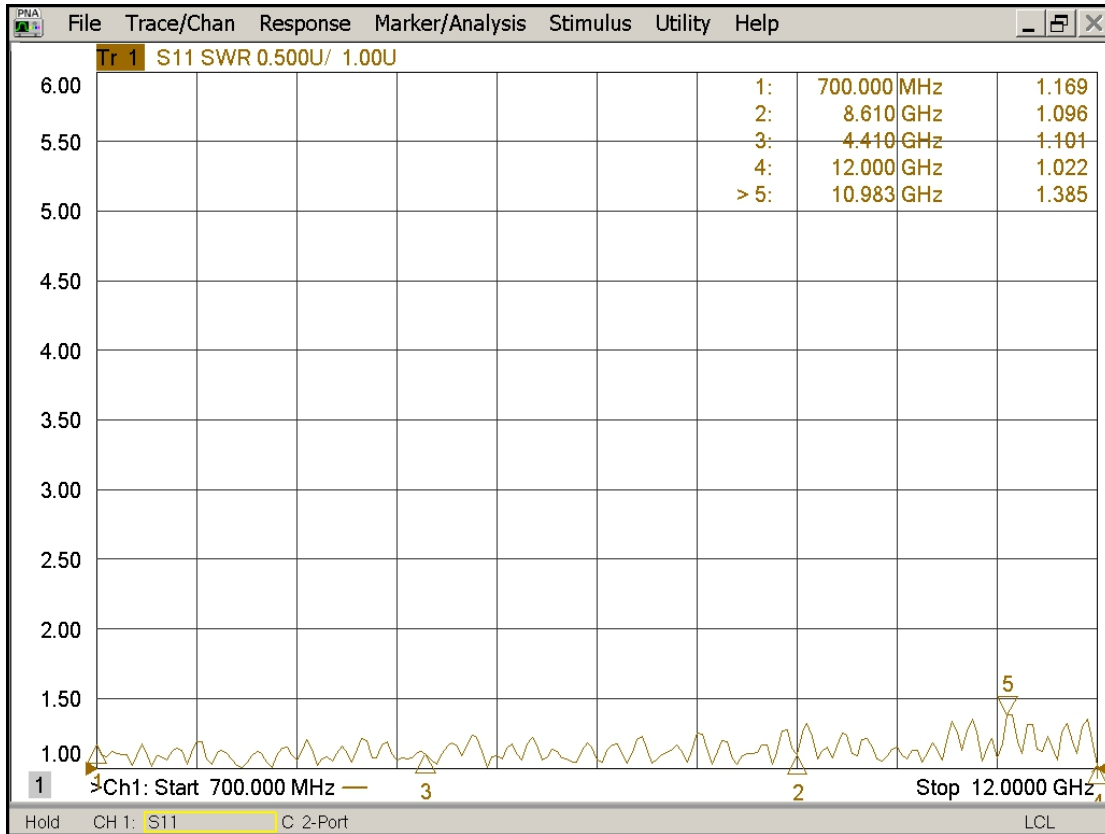
1. Gain



2. Axial Ratio



3. VSWR



4. Pattern

